

**Product: STOOL**

*Cono* stool, designed by the spanish designer Jorge Pensi, has a minimalist and geometric shape, in lacquered metal with a rubber seat that allows you to create color contrasts.

**TECHNICAL FEATURES**

**Base:** matt White Snow powder coated metal base.

**Pedestal:** the pedestal hides the latch mechanism of the seat (20 cm range).

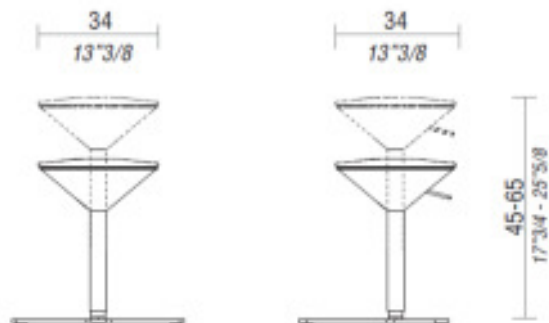
**Seat:** the seat is in pure Polyurethane foam that can be upholstered in fabric.

**MECHANISM**

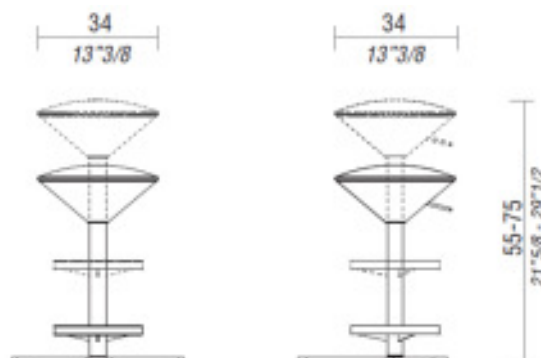
Height adjustable mechanism trough a gas piston contained in stool frame.



**DIMENSIONS**



*CONO, H45-55 stool.*



*CONO, H55-75 stool.*

**FINISHES**

**Shell:** Integral White or Black Polyurethane foam.

**Shell upholstery:** Smart Office - Sprint Fabric.

**Base:** White Snow powder coated metal.